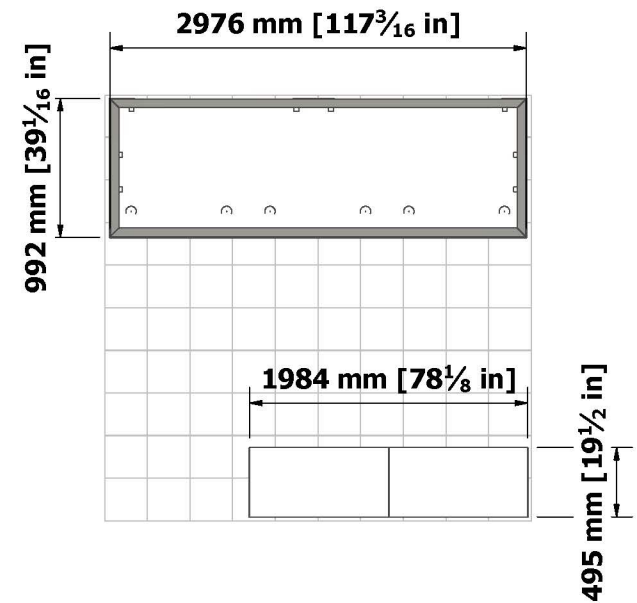
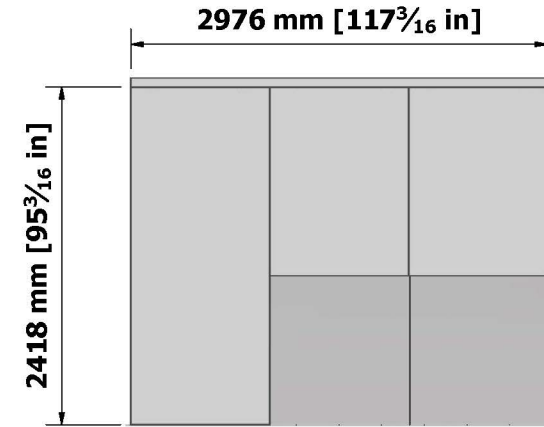
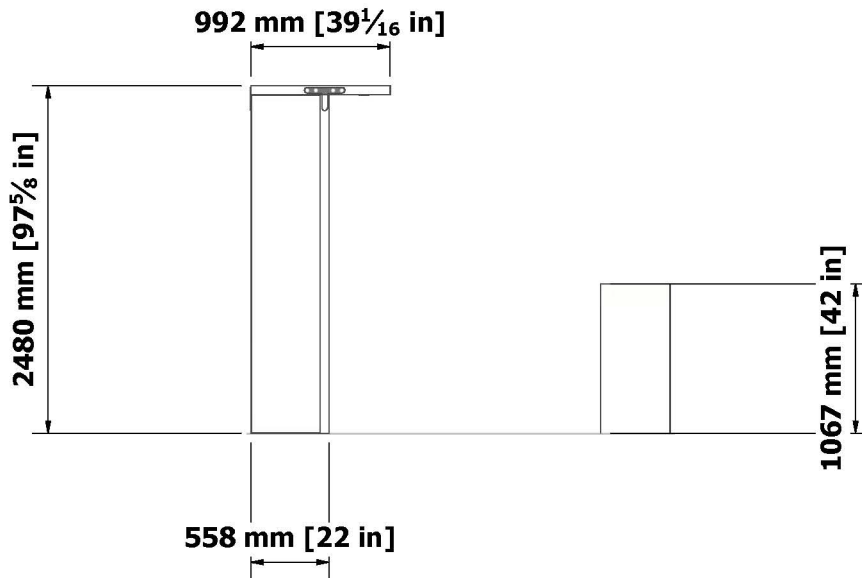
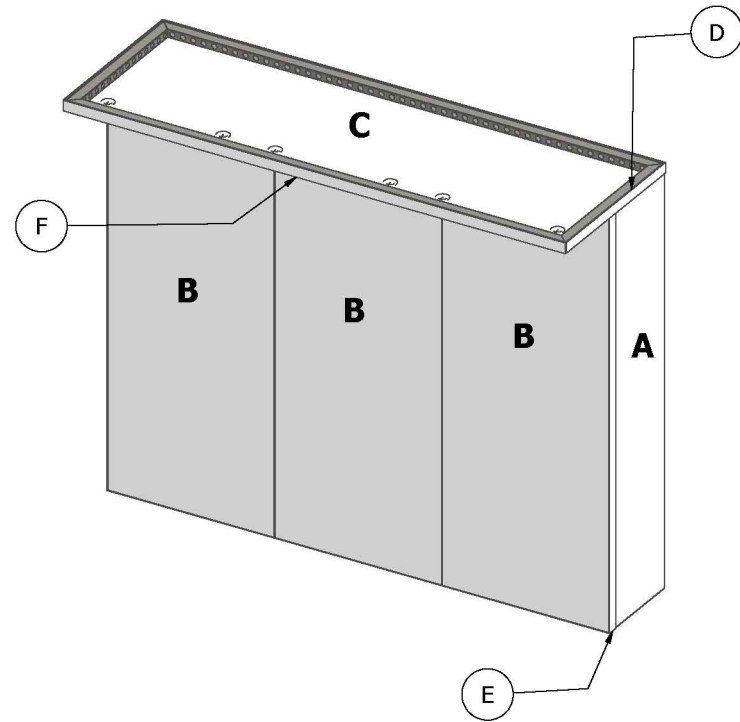
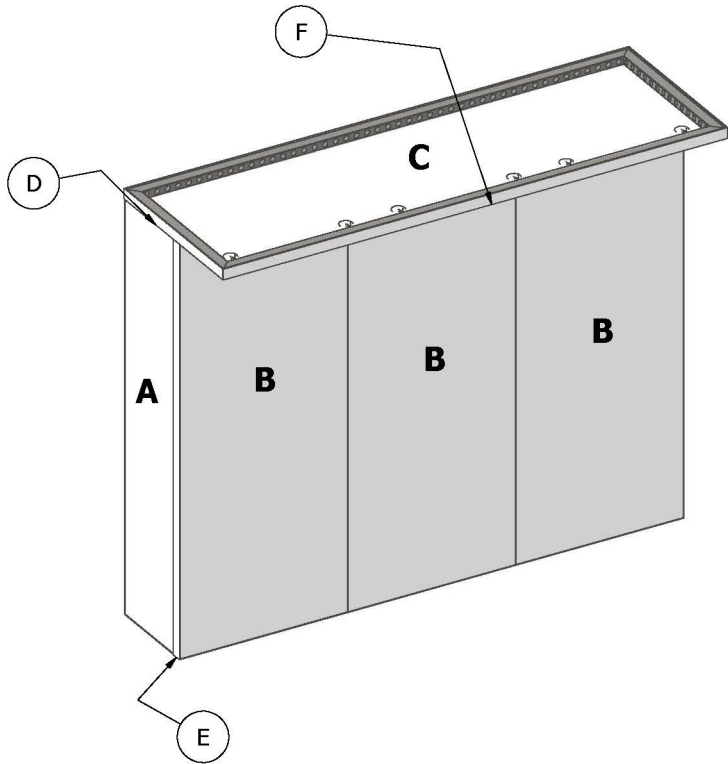


CONFERENCE -> 10 X 10

All concepts and designs by The Expo Group are protected under current Federal Copyright Laws. Unauthorized use or reproduction without the written consent of The Expo Group is forbidden.



CONFERENCE -> 10 X 10

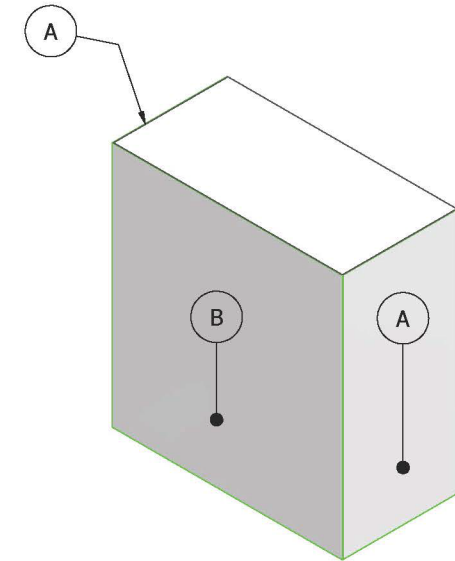
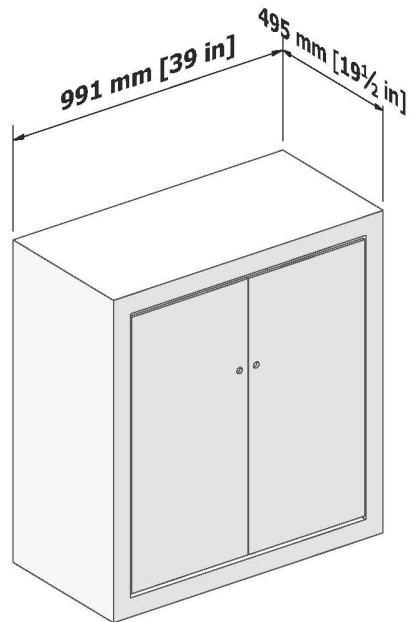
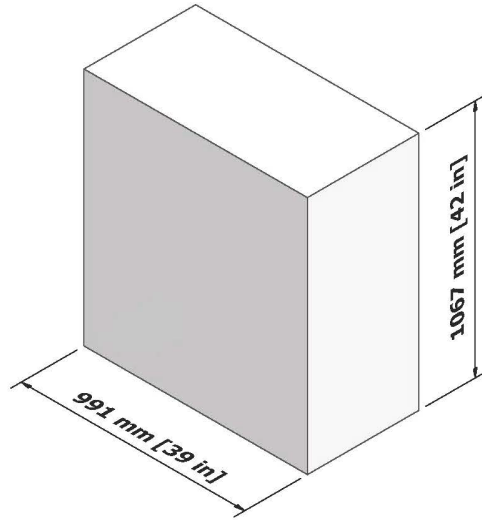


### PANEL LIST

ITEM	QTY	ARTICLE	DESCRIPTION
A	2	Panel for 0496 2418 Frame	19-5/16" x 94-15/16" [0490 X 2412MM]
B	3	Panel for 0992 2418 Frame	38-13/16 x 94-15/16" [986 x 2412MM]
C	1	Panel for 0992 2976 Frame	38-13/16" x 116-15/16" [0986 X 2970MM]
D	2	Panel Strip for 0992 Frame	2-7/16" x 39-1/16"
E	2	Panel Strip for 2418 Frame	2-7/16" x 95-3/16"
F	1	Panel Strip for 2976 Frame	2-7/16" x 117-3/16"

CONFERENCE -> 10 X 10

All concepts and designs by The Expo Group are protected under current Federal Copyright Laws. Unauthorized use or reproduction without the written consent of The Expo Group is forbidden.



PANEL LIST			
ITEM	QTY	ARTICLE	DESCRIPTION
A	2	3mm Panel For Asset Counter [ 495 x 1067mm]	19-1/2" x 42"
B	1	3mm Panel For Asset Counter [ 997 x 1067mm]	39-1/4" x 42"